

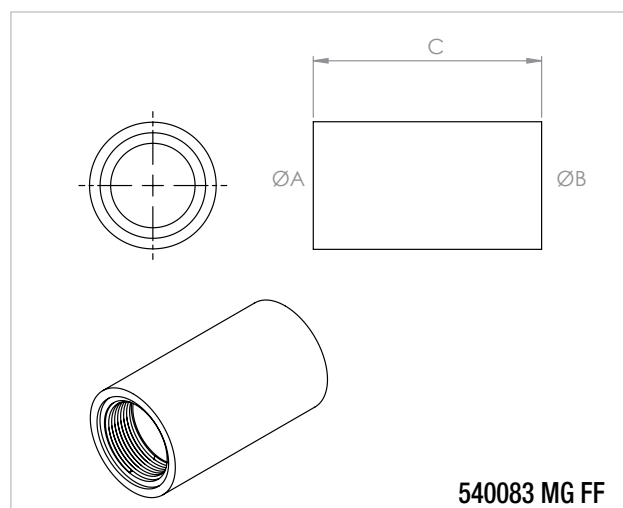
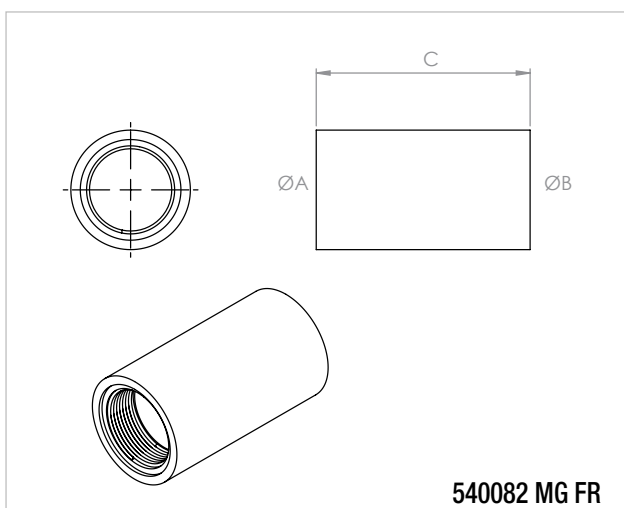
MG Connection sleeve

APPLICATION

Connection sleeve for flexible corrugated drain hose and rigid hose.

FEATURES AND BENEFITS

- > **“MG FR” connection sleeve:** it is used to connect a corrugated drain hose to a rigid hose, and it is provided complete with **2 O-Ring washers**.
- > **“MG FF” connection sleeve:** it is used to connect the femal joint to the male joint of two corrugated drain hoses. It is provided complete with **4 O-Ring washers**.
- > Working temperatures: **-30°C / +75°C**



COD	Type	Application	Ø A	Ø B	C
540082	MG FR	Flex-Rigid connection	20	24	51
540083	MG FF	Flex-Flex connection	20	24	

COMPONENTS FOR AIR-CONDITIONING CORRUGATED DRAIN HOSE AND ACCESSORIES

MATERIALS TECHNICAL DATA

REDUCTION PIECE

PP Polypropylene EP 440 G

PACKAGING

In cardboard box

RELATED ITEMS

- > Flexible corrugated drain hose
- > Rigid hose

DATE 07-2023 REV. 00

The current technical data sheet substitutes and cancels the previous ones. The details provided fit our current knowledge of the product. It cannot lead us to any sort of responsibility or compensation.

Gia S.p.A. reserves the right of changing technical features and molds without notice.

This company is subject to "Ethica Global Investments S.p.A." management.

Gia S.p.A. – Via Sac. A. Cremona, 12 – 28069 Trecate (NO) – www.gia.it