

### RTG

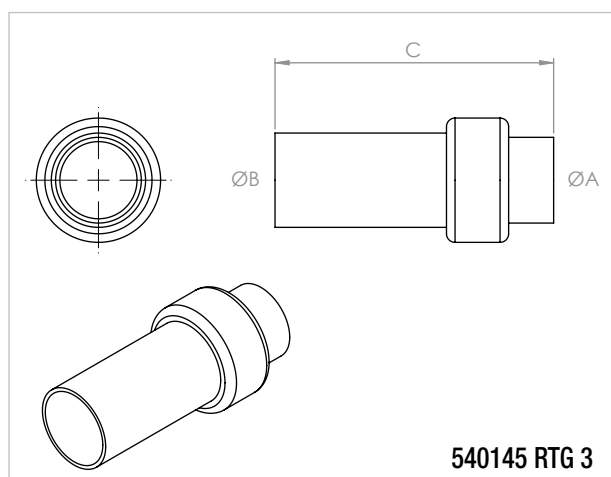
#### Hose-sheath fitting for condensation drain

#### APPLICATION

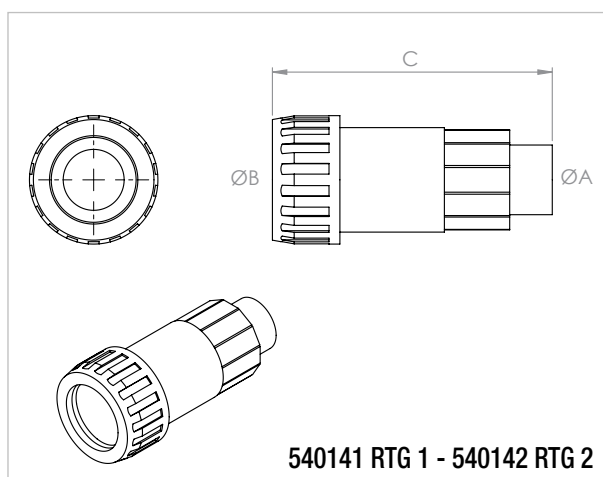
Hose-sheath fitting used to connect spiral hose and rigid pipe.

#### FEATURES AND BENEFITS

- > Connection sleeve used to connect a spiral hose either to a rigid PVC pipe or the outlet of a pre-installation embedded box.
- > Working temperatures: **-30°C / +75°C**



540145 RTG 3



540141 RTG 1 - 540142 RTG 2

COD	TYPE	Application	Ø A	Ø B	C
540141	RTG 1	Hose-sheath connection	16	20	64
540142	RTG 2	Hose-sheath connection	20	25	68
540145	RTG 3	Hose-sheath connection	20	20	60

# COMPONENTS FOR AIR-CONDITIONING

## SPIRAL DRAIN HOSE AND ACCESSORIES

### MATERIALS TECHNICAL DATA

#### MATERIAL

PP Polypropylene EP 440 G - RAL 7035

### PACKAGING

In cardboard box

### RELATED ITEMS

- > T-FLEX - PVC flexible and smooth spiral drain hose
- > TR - Rigid PVC pipe

#### DATE 08-2023 REV. 00

The current technical data sheet substitutes and cancels the previous ones. The details provided fit our current knowledge of the product. It cannot lead us to any sort of responsibility or compensation.

Gia S.p.A. reserves the right of changing technical features and molds without notice.

This company is subject to "Ethica Global Investments S.p.A." management.

Gia S.p.A. – Via Sac. A. Cremona, 12 – 28069 Trecate (NO) – [www.gia.it](http://www.gia.it)